



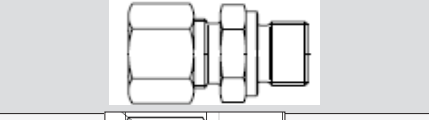
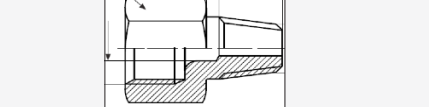


<i>Click on items below to be linked to that page</i>		SECTION INDEX	
			PAGE
1	HOSE & TUBE		2
2	HOSE / TUBE CUTTERS		3
3	FIELD ATTACH FITTINGS		4 - 5
4	CRIMP FITTINGS		6
5	NUT & OLIVE FITTINGS		7-9
6	ADAPTOR FITTINGS		10-11

PCLH

HIGH PRESSURE HOSE



Construction

Inner Tube:
Polyether-ester

Reinforcement:
High Tensile Polyester

Cover:
Matte Black Polyurethane

Technical Specifications

Temperature Range:
- 40°C up to + 80°C

Operating Pressure:
210 Bar

Burst Pressure:
840 Bar at + 20°C

Min. Bend Radius
20mm at +20°C

Fittings

FG Series Field Attachable
CF Series Crimp Ferrule with CG
series fittings

Product Code	Nominal ID		OD	Description
	DN	mm	mm	
PCLH-004010	DN4	4.0	8.6	10mtr roll - empty
PCLH-004050	DN4	4.0	8.6	50mtr roll - empty
PCLH-004010F	DN4	4.0	8.6	10mtr roll - Grease Filled (NLG11)
PCLH-004050F	DN4	4.0	8.6	50mtr roll - Grease Filled (NLG11)

PCLT

HIGH PRESSURE TUBE



Construction

Black Polyamide PA12
(Nylon) semi rigid

Meets the requirements
of DIN 73378

Technical Specifications

Temperature Range:
- 40°C up to + 80°C

Operating Pressure:
89 Bar

Burst Pressure:
267 Bar at + 23°C

Min. Bend Radius
36mm at +23°C

Fittings

Metric Compression

Product Code	Nominal ID		OD	Description
	DN	mm	mm	
PCLT-006020	DN6	3.0	6.0	20mtr roll - empty
PCLT-006100	DN6	3.0	6.0	100mtr roll - empty
PCLT-006020F	DN6	3.0	6.0	20mtr roll - Grease Filled (NLG11)
PCLT-006050F	DN6	3.0	6.0	50mtr roll - Grease Filled (NLG11)

TPHC

HAND CUTTER

Suit auto and Aircon Hoses, Thermoplastic, Nylon & Fabric Braid Rubber & PVC Hose



Hand Cutting Tool	
Product Code	Description
TPHC - 001	Hand Cutter for Hose and Tube - Up to 28mm External Diameter
TPCHRB - 001	Replacement Blade for Hand Cutter

- A robustly made hand cutting tool for cleanly cutting a wide range of hose and tube products.
- Replaceable Blade.

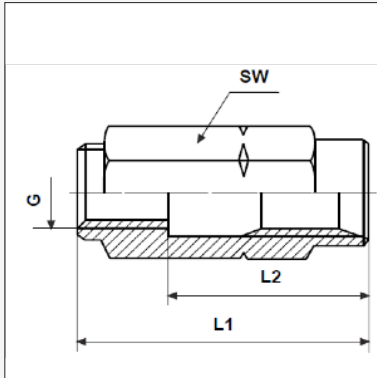
FIELD ATTACH FITTINGS

FG

FIELD ATTACHABLE HOSE FITTINGS (Suits PCLH hose)

PCLFF FIELD ATTACHABLE FERRULE

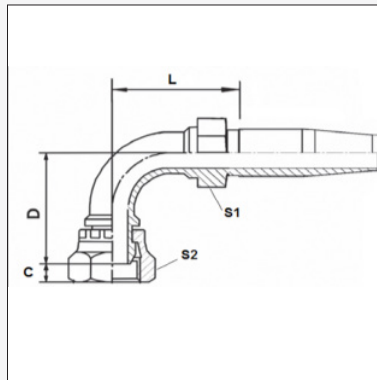
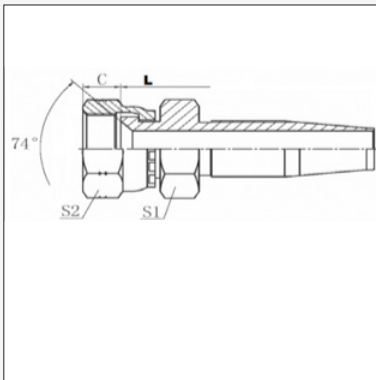
Material - Plated Steel



Product Code	To Suit Hose	G	SW (mm)	L1 (mm)	L2 (mm)
PCLFF-004	PCLH-004	M7x 0.75	12	28	19

JIC FEMALE HOSE TAILS (Ferrule ordered separately)

Material - Plated Steel

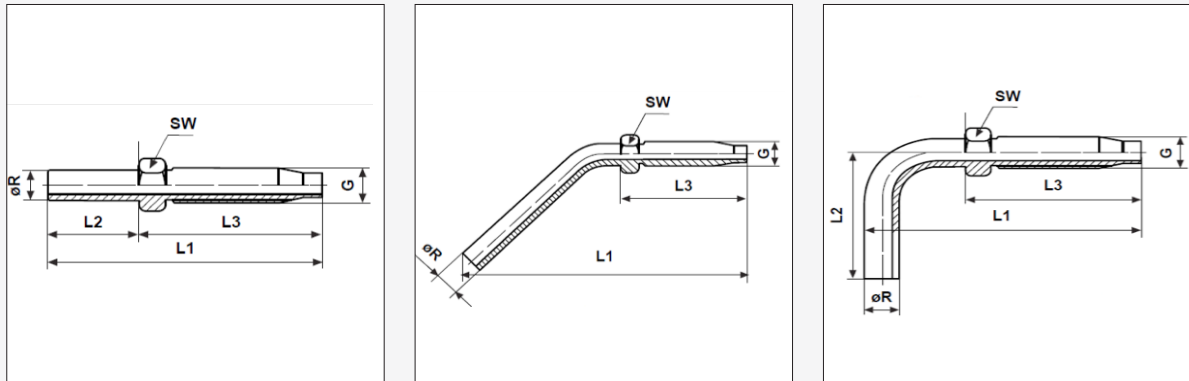


	Product Code	JIC Thread		To Suit Hose	C	L	S2	S1	D
		Thread Size	Tube Size		mm	mm	mm	mm	mm
Straight	JF1-07004FG	7/16"	1/4"	PCLH-004	7.61	17.7	14.76	13.85	-
90°	JF9-07004FG	7/16"	1/4"	PCLH-004	7.61	32.8	14.76	13.85	30.3

FIELD ATTACH FITTINGS

STANDPIPE HOSE TAIL (Ferrule ordered separately)

Material - Plated Steel

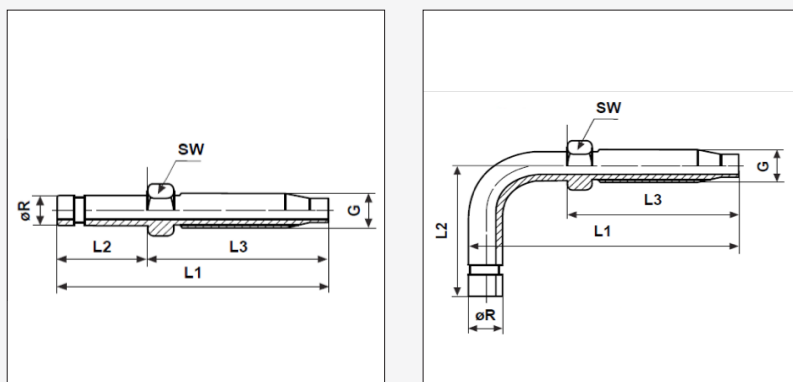
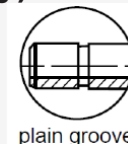


	Product Code	To Suit Hose	G	DN	Ø R (mm)	SW (mm)	L1 (mm)	L2 (mm)	L3 (mm)
Straight	SPM1-04004FG	PCLH004	M7x0.75	4	4	10	61	30	31
Straight	SPM1-06004FG	PCLH-004	M7x0.75	4	6	10	51	20	31
Straight	SPM1L-06004FG	PCLH-004	M7x0.75	4	6	10	61	30	31
45°	SPM4-06004FG	PCLH-004	M7x0.75	4	6	10	56	-	31
90°	SPM9-04004FG	PCLH-004	M7x0.75	4	4	10	45	27	31
90°	SPM9-06004FG	PCLH-004	M7x0.75	4	6	10	47	22	31
90°	SPM9L-06004FG	PCLH-004	M7x0.75	4	6	10	47	36	31

STANDPIPE HOSE TAIL - PLAIN GROOVE (Ferrule ordered separately)

Material - Plated Steel

Plain groove for push-in fitting type Lincoln



	Product Code	To Suit Hose	G	DN	Ø R (mm)	SW (mm)	L1 (mm)	L2 (mm)	L3 (mm)
Straight	SPM1G-06004FG	PCLH-004	M7x0.75	4	6	10	52.5	21.5	31
90°	SPM9G-06004FG	PCLH-004	M7x0.75	4	6	10	60	36	31

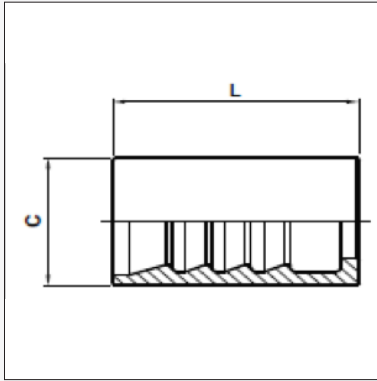
CRIMP FITTINGS

CG

CRIMP HOSE FITTINGS - 2 PIECE (Suits PCLH hose)

PCLCF CRIMP FERRULE

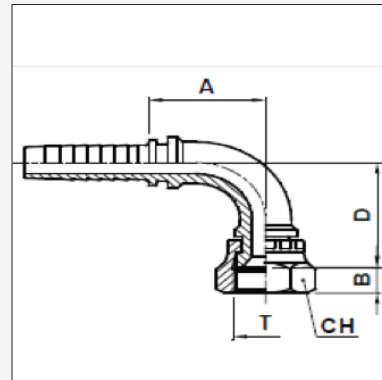
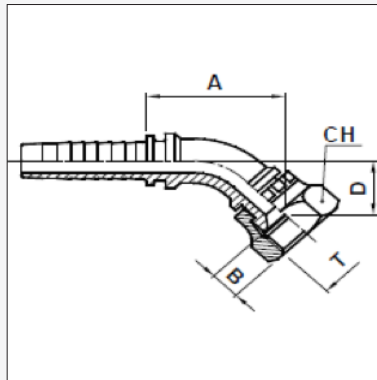
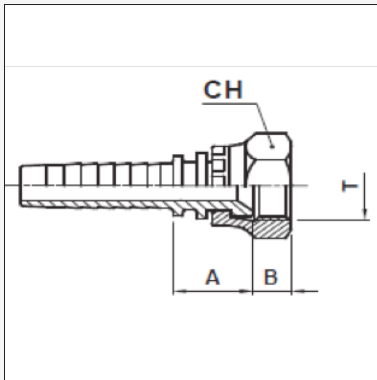
Material - Plated Steel



Product Code	To Suit Hose	C (mm)	L (mm)
PCLCF-004	PCLH-004	12.9	27.9

JIC FEMALE HOSE TAILS (Ferrule ordered separately)

Material - Plated Steel



	Product Code	JIC Thread (T)		To Suit Hose	A	B	CH	D
		Thread Size	Tube Size		mm	mm	mm	mm
Straight	JF1-07004CG	7/16"	1/4"	PCLH-004	26.3	7.9	13.9	-
45°	JF4-07004CG	7/16"	1/4"	PCLH-004	35.3	7.9	13.9	12.8
90°	JF9-07004CG	7/16"	1/4"	PCLH-004	24.6	7.9	13.9	25.0

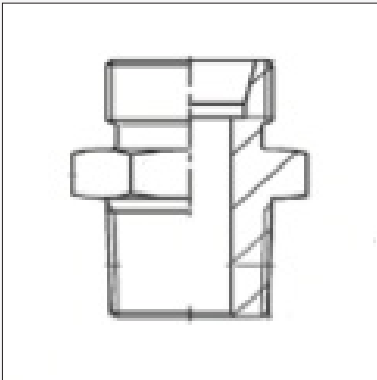
NUT & OLIVE COMPRESSION FITTINGS

Note: Supplied as body only, order nut and olive separately.

For more nut & olive compression fittings please refer to our section E catalogue

MALE STRAIGHT CONNECTORS

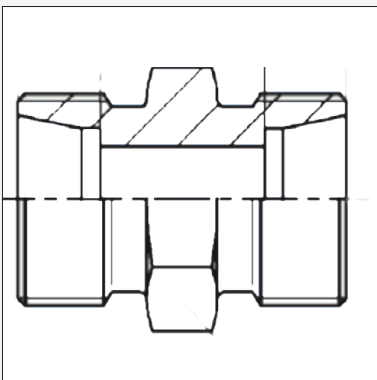
Material - Plated Steel



Product Code	Tube OD Size	Thread
GE-06LLRK1/8	6mm (06LL)	1/8" BSPT
GE-06LRK1/8	6mm (06L)	1/8" BSPT
GE-06LRK1/4	6mm (06L)	1/4" BSPT
GE-08LRK1/4	8mm (08L)	1/4" BSPT
GE-10LRK1/4	10mm (10L)	1/4" BSPT
GE-06LLR1/8ED	6mm (06LL)	1/8" BSPP ED SEAL (FORM E)
GE-06LR1/8ED	6mm (06L)	1/8" BSPP ED SEAL (FORM E)
GE-06LR1/4ED	6mm (06L)	1/4" BSPP ED SEAL (FORM E)
GE-06SR1/4ED	6mm (06S)	1/4" BSPP ED SEAL (FORM E)
GE-06LR3/8ED	6mm (06L)	3/8" BSPP ED SEAL (FORM E)
GE-08LR1/4ED	8mm (08L)	1/4" BSPP ED SEAL (FORM E)
GE-10LR1/4ED	10mm (10L)	1/4" BSPP ED SEAL (FORM E)
PCL10309	6mm (06LL)	1/8" NPT
GE-06L1/8NPT	6mm (06L)	1/8" NPT
GE-06L1/4NPT	6mm (06L)	1/4" NPT
GE-06S1/4NPT	6mm (06S)	1/4" NPT
GE-06LLM10X1ED	6mm (06LL)	M10x1 PARALLEL ED SEAL (FORM E)
PCL10117	6mm (06L)	M14x1.5 PARALLEL
GE-06LLMK6X1	6mm (06LL)	M6x1 TAPER
GE-06LLMK8X1	6mm (06LL)	M8x1 TAPER

STRAIGHT TUBE COUPLING

Material - Plated Steel

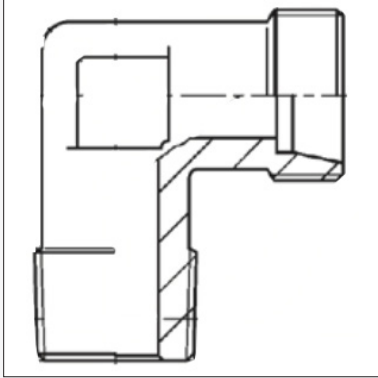


Product Code	Tube OD Size
G-06LL	6mm (06LL)
G-08L	8mm (08L)
G-10L	10mm (10L)
GV-10L/06L	10mm (10L) x 6mm (06L)

NUT & OLIVE COMPRESSION FITTINGS

MALE 90° CONNECTORS

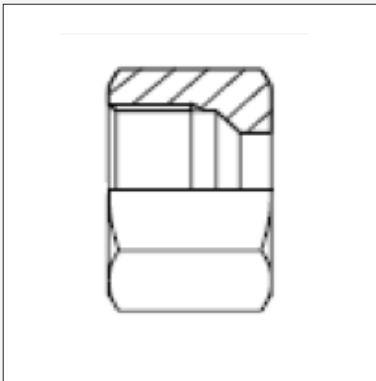
Material - Plated Steel



Product Code	Tube OD Size	Thread
WE-06LLRK1/8	6mm (06LL)	1/8" BSPT
WE-06LRK1/8	6mm (06L)	1/8" BSPT
WESW-06LLRK1/8	6mm (06LL)	1/8" BSPT SWIVEL
WE-06LRK1/4	6mm (06L)	1/4" BSPT
WE-06SRK1/4	6mm (06S)	1/4" BSPT
WE-08LRK1/4	8mm (08L)	1/4" BSPT
WE-10LRK1/4	10mm (10L)	1/4" BSPT
WE-06L1/8NPT	6mm (06L)	1/8" NPT
WE-06L1/4NPT	6mm (06L)	1/4" NPT
PCL10506	6mm (06LL)	M10x1 PARALLEL
WE-06LLMK6X1	6mm (06LL)	M6x1 TAPER
WE-06LLMK8X1	6mm (06LL)	M8x1 TAPER

TUBE NUT

Material - Plated Steel

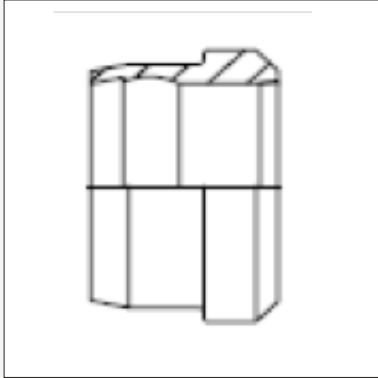


Product Code	Tube OD Size	Thread (mm)
M-06LL	6mm (06LL)	10x1
M-06L	6mm (06L)	12x1.5
M-08L	8mm (08L)	14x1.5
M-10L	10mm (10L)	16x1.5

NUT & OLIVE COMPRESSION FITTINGS

OLIVE

Material - Plated Steel



Product Code	Tube OD Size	Thread
D-06LL	6mm (06LL)	1/8" BSPT
D-06L	6mm (06L)	1/8" BSPT
D-08L	8mm (08L)	1/8" BSPT SWIVEL
D-10L/S	10mm (10L/S)	1/4" BSPT

BULKHEAD GREASE NIPPLE

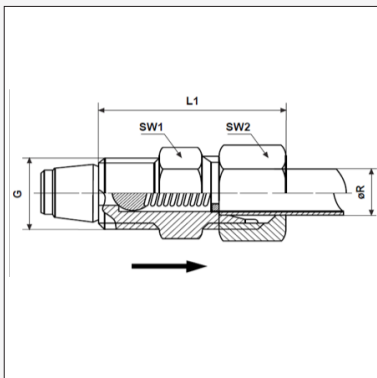
Material - Plated Steel
Supplied with Nut & Olive



Product Code	Tube OD Size
PCL11204	6mm (06L)

CHECK VALVE (Lincoln type)

Material - Plated Steel
Supplied with Nut & Olive

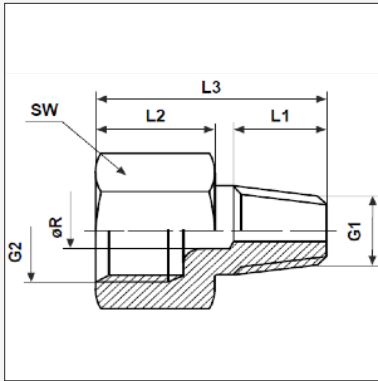


Product Code	Tube OD Size	G	Ø R (mm)	SW1 (mm)	SW2 (mm)	L1 (mm)
PCL13801	6mm (06LL)	M10x1	6	11	12	28

ADAPTOR FITTINGS

MALE X FEMALE STRAIGHT ADAPTOR

Material - Plated Steel



Product Code	G1	G2	Ø R (mm)	SW (mm)	L1 (mm)	L2 (mm)	L3 (mm)
PCL12503	1/8" BSPT	1/8" BSPP	4.4	14	5	10.4	17
PCL12511	1/4" BSPP	1/4" BSPP	7.9	17	11	13.4	24.5

MALE X FEMALE STRAIGHT SWIVEL ADAPTOR

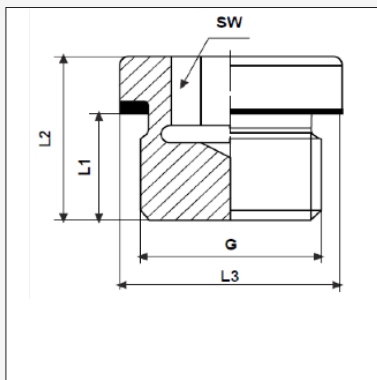
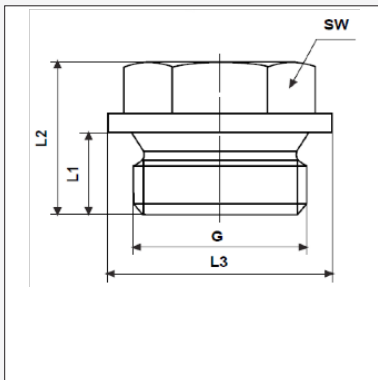
Material - Plated Steel



Product Code	"MALE THREAD"	"FEMALE THREAD"
PCL14904	1/8" BSPT	1/8" BSPP

PLUGS

Material - Plated Steel



	Product Code	G	SW (mm)	L1 (mm)	L2 (mm)	L3 (mm)
Hex Head	PCL40114*	M10x1	10	5.6	14.5	13.5
Socket head	VSTI-10X1	M10x1	5	8	12	14
Socket head	VSTIR-1/4	1/4" BSP	6	12	17	19

* Doubling plug suit Block Feeder - L & V Type



This page is part of a complete catalogue containing technical and safety data.
All data must be reviewed when selecting a product.
Pirtek reserve the right to change technical specifications without notice